

## ANSI FLEXIBLE RUBBER JOINT TWIN SPHERE UNION-SCREW END

Type: XTQ2L

Doc No: DS-901-XTQ2L-01-E-S

### 1.0 PRODUCT OVERVIEW

Flexible Rubber Joint Twin Sphere is composed of a fabric-reinforced rubber member and two malleable iron unions, which is a joint for vibration isolation and compensation of displacement of the pipeline.



#### Dimensions:

1/2" (DN15)-3" (DN80)

#### Design Standard:

GB/T 26121

#### Connection Standard:

ASME B1.20.1

#### Working Pressure:

300PSI, 250PSI, 200PSI, 175PSI

#### Application:

Flexible Rubber Joint is an important component of the Waterworks and HVAC system. The operating temperature range is  $-0^{\circ}\text{C} \sim 80^{\circ}\text{C}$ .

#### Material of Matching Products:

Steel Pipe Nipple

Material: Carbon Steel.

Standard: ASME B1.20.1

#### Sign Off:

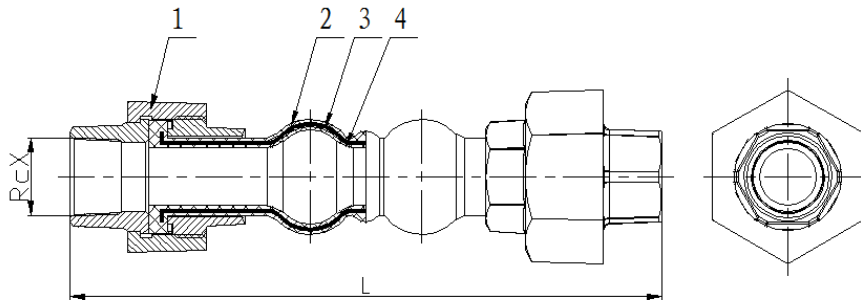
Owner: \_\_\_\_\_ Contractor: \_\_\_\_\_ Engineer: \_\_\_\_\_  
Location: \_\_\_\_\_ Date: \_\_\_\_\_ Approved & Date: \_\_\_\_\_

## 2.0 APPROVALS



## 3.0 SPECIFICATIONS

Product Sketch:



Part No.	Part	Standard Specification	Options
1	Union	Malleable Iron	
2	Rubber (Outer)	EPDM	NBR
3	Reinforcing Fabric	Nylon Fabric	
4	Rubber (Inner)	EPDM	NBR

## 4.0 DIMENSIONS AND PERFORMANCE

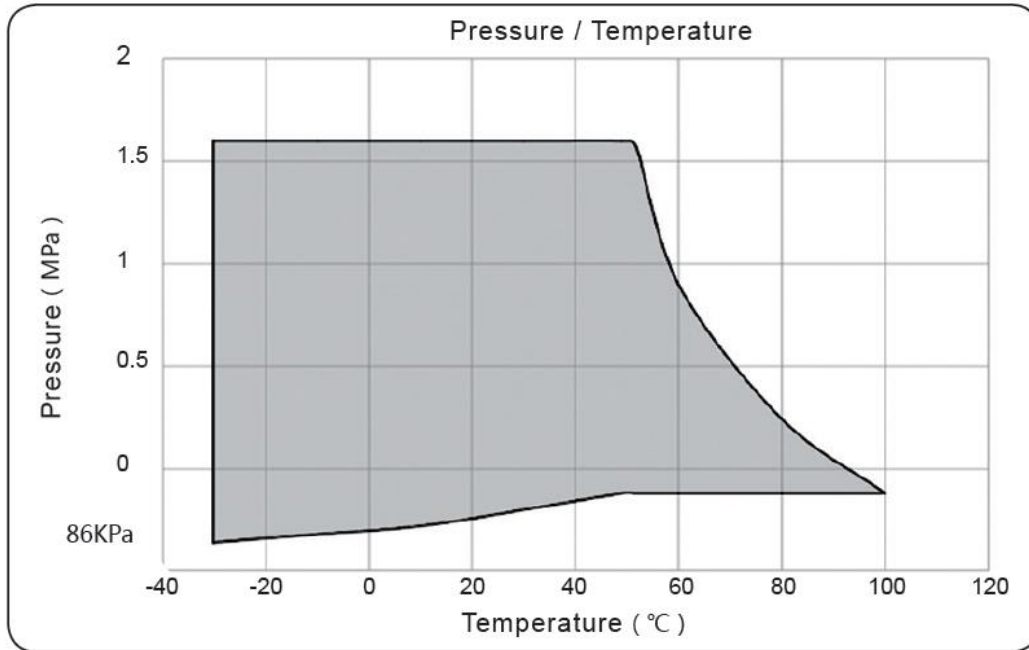
### 4.1 Dimensions

DN		Neutral Length(MM)	Thread	AXIAL(MM)		TRANSVERSE MOMENT (MM)	ANGULAR DEFLECTION DEG
INCH	MM			L	X NPT		
1/2"	15	200	1/2-14	6	22	22	40
3/4"	20	200	3/4-14	6	22	22	40
1"	25	200	1-11.5	6	22	22	40
1 1/4"	32	200	1 1/4-11.5	6	22	22	40
1 1/2"	40	200	1 1/2-11.5	6	22	22	40
2"	50	200	2-11.5	6	22	22	40
2 1/2"	65	240	2 1/2-8	6	22	22	40
3"	80	240	3-8	6	22	22	40

Sign Off:

Owner: \_\_\_\_\_ Contractor: \_\_\_\_\_ Engineer: \_\_\_\_\_  
 Location: \_\_\_\_\_ Date: \_\_\_\_\_ Approved & Date: \_\_\_\_\_

## 4.2 Pressure and Temperature Characteristics table



## 4.3 Strength Testing

Testing pressure: 218\348PSI

Burst pressure: 435\696PSI

## 5.0 REFERENCE MATERIALS

Approved certification for Rubber Joint

**Sign Off:**

Owner: \_\_\_\_\_ Contractor: \_\_\_\_\_ Engineer: \_\_\_\_\_

Location: \_\_\_\_\_ Date: \_\_\_\_\_ Approved & Date: \_\_\_\_\_